

Din 96 Viewing Window



Our high-quality meter viewing window is resistance to elevated temperatures and pressures. The clear and transparent window allow for easy meter reading.

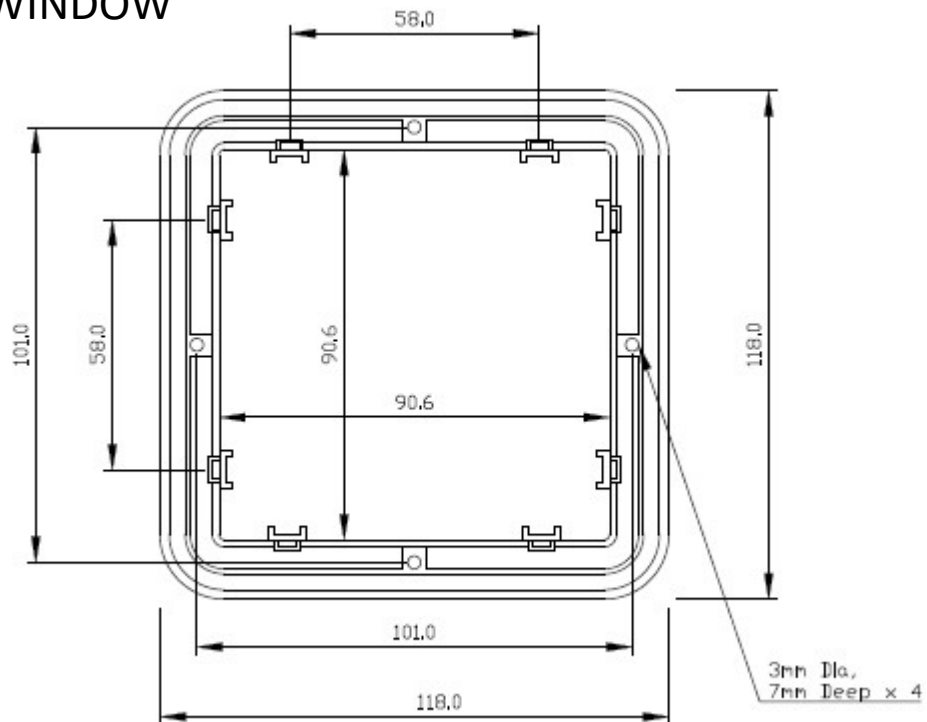
Material : Polycarbonate

IP rating : IP55



Dimensions

Part No. D96SD-WINDOW



Our policy is one of continuous development and therefore specifications may change without notice.

HOWARD BUTLER LTD

CROWN WORKS, LINCOLN ROAD

WALSALL WS1 2EB, ENGLAND